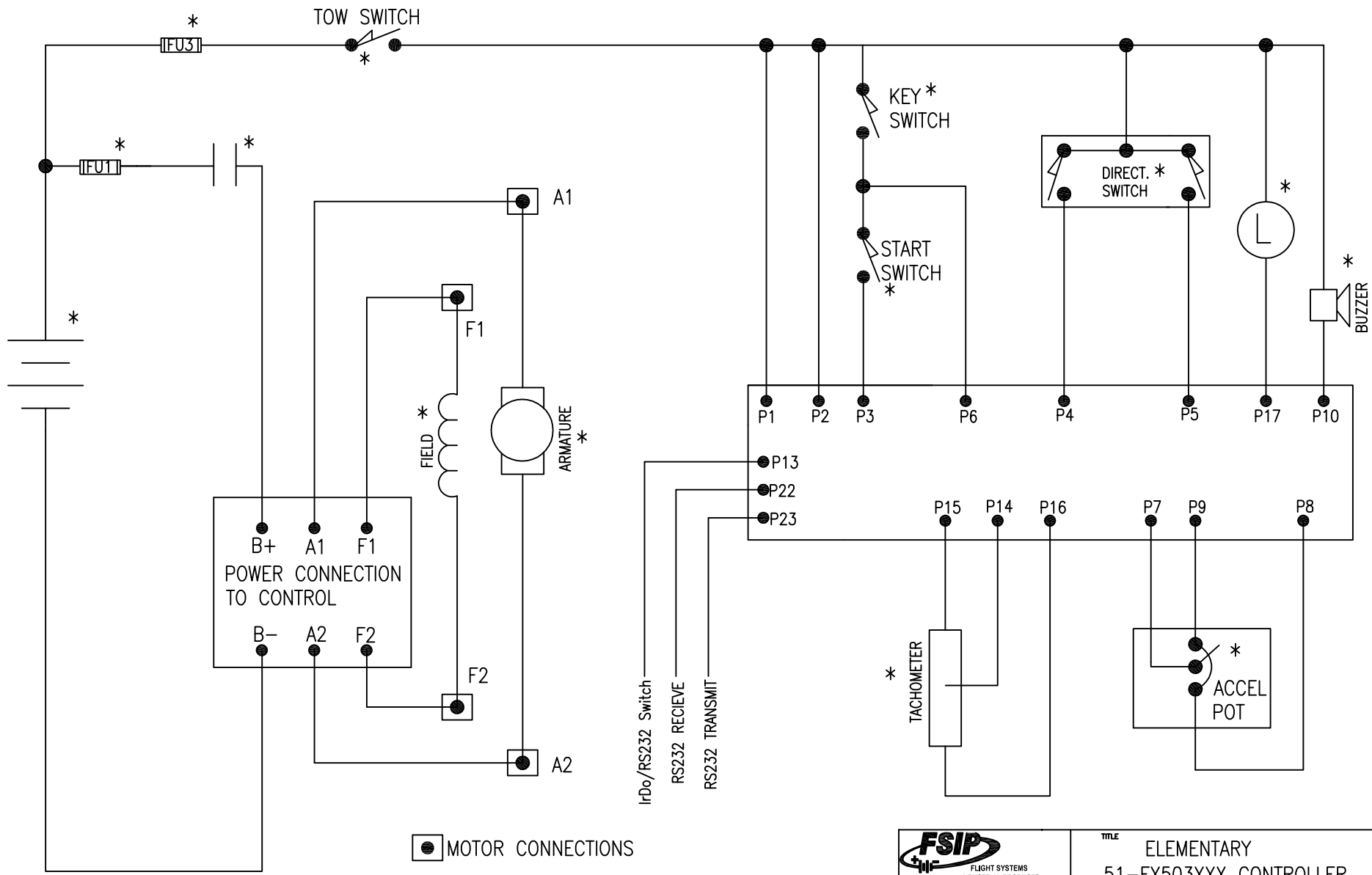


**PROPRIETARY AND CONFIDENTIAL**  
 This document is the property of Flight Systems Industrial Products and contains proprietary and confidential information. This document is loaned on the express condition that the information contained therein shall NOT be disclosed to others without the express consent of FSIP and that the information shall be used by the recipient only as approved by FSIP. This document shall be returned to FSIP, 1015 Harrisburg Pike, Carlisle, PA, upon it's request.

REVISIONS			
REV	DESCRIPTION	DATE	APPROVED
01			



● MOTOR CONNECTIONS

\*CUSTOMER SUPPLIED

 FLIGHT SYSTEMS INDUSTRIAL PRODUCTS 1015 HARRISBURG PIKE CARLISLE PA 17013 PHONE: 717-254-3747 FAX: 717-254-3777		TITLE			
		ELEMENTARY 51-FX503XXX CONTROLLER			
DRAWN	DATE	SIZE	FSCM NO.	DWG NO.	REV
M. POTTER	7/05/12	C			
CHECKED	DATE	SCALE			SHEET